

SOD-123 SCHOTTKY BARRIER DIODE

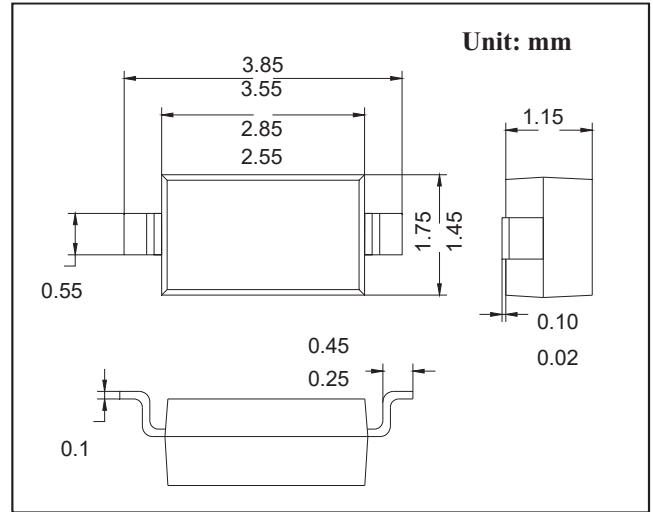
VOLTAGE RANGE: 50V PEAK PULSE POWER:400mW

FEATURES

- Low Forward Voltage Drop
- Guard Ring Construction for Transient
- Protection Negligible Reverse Recovery Time
- Low Capacitance
- Ultra-small Surface Mount Package

MECHANICAL DATA

- Case: SOD-123 Small Outline Plastic Package
- Polarity: Color band denotes cathode end
- Mounting Position: Any



MAXIMUM RATINGS AND CHARACTERISTICS

@ 25°C Ambient Temperature (unless otherwise noted)

| Symbol | Parameter | Value | Unit |
|----------------|--|----------|------|
| VRRM | Peak Repetitive Reverse Voltage | 50 | V |
| VRWM | Working Peak Reverse Voltage | | |
| VR | DC Blocking Voltage | | |
| VR(RMS) | RMS Reverse Voltage | 35 | V |
| IFM | Forward Continuous Current | 15 | mA |
| IFSM | Non-repetitive Peak Forward Surge Current @t=8.3ms | 2 | A |
| PD | Power Dissipation | 400 | mW |
| RθJA | Thermal Resistance from Junction to Ambient | 250 | °C/W |
| Tj | Junction Temperature | 125 | °C |
| Tstg | Storage Temperature | -55~+150 | °C |

Electrical Specification (TA=25°C unless otherwise specified)

| Parameter | Symbol | Test conditions | Min | Typ | Max | Unit |
|-----------------------|--------|---------------------------------|-----|-----|------|------|
| Reverse voltage | V(BR) | IR=10μA | 50 | | | V |
| Reverse current | IR | VR=40V | | | 0.2 | μA |
| Forward voltage | VF | IF=1mA | | | 0.40 | V |
| | | IF=15mA | | | 0.95 | |
| Total capacitance | Ctot | VR=0V, f=1MHz | | | 2.1 | pF |
| Reverse recovery time | trr | IF= IR=5mA, Itr=0.1×IR, RL=100Ω | | | 1 | ns |

MARKING: S2

RATINGS AND CHARACTERISTIC CURVES

